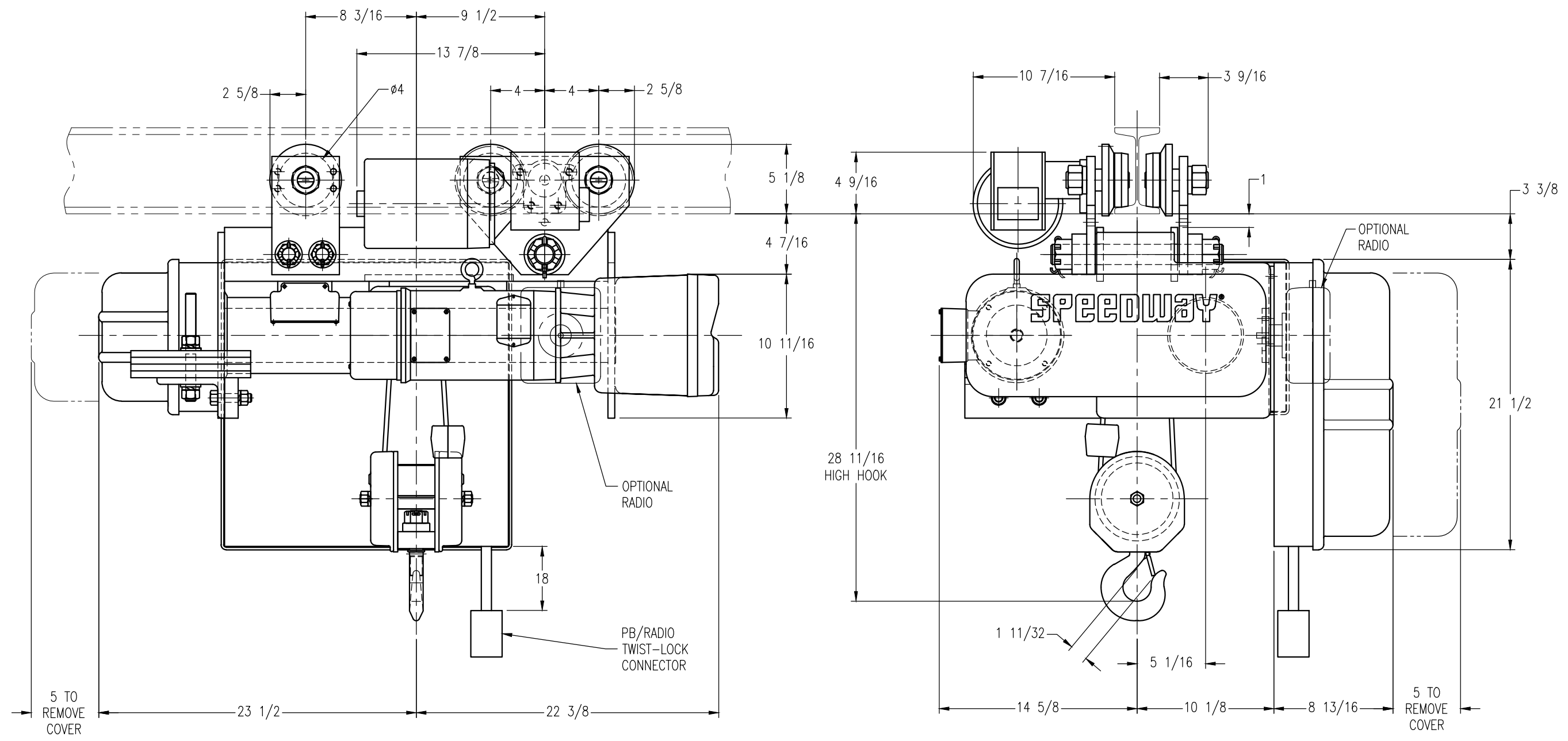


LET	CH NO.	BY	DATE	REVISIONS
-	7532	SEP	11/4/13	RELEASED FOR PRODUCTION



CUSTOMER:  
 CUSTOMER P.O. No.:  
 ACCO PRODUCT No.: C1W03D021-15M2D1  
 CAPACITY: 3 TONS  
 LIFT: 21 FT  
 LIFTING SPEED: 15 FPM, 3 HP  
 TRAVEL SPEED: 50 FPM, 0.5 HP

POWER SUPPLY: 230/460-3-60  
 BEAM:  
 REMARKS:  
 ACCO ORDER No.:  
 SERIAL No.:

ITEM	REV'D	QTY	UNIT	DESCRIPTION	LENGTH	WT.																																																								
<table border="1"> <tr> <td colspan="2">METALLURGY APPROVED</td> <td colspan="2">DATE</td> <td colspan="3">ACCO MATERIAL HANDLING SOLUTIONS 76 ACCO DR. YORK, PA 17402</td> </tr> <tr> <td colspan="2">NEXT ASSY NO.</td> <td colspan="2">REV'D</td> <td colspan="3">NAME: Sr31 HOIST, 2PD MOTORIZED TROLLEY</td> </tr> <tr> <td colspan="2">UNLESS OTHERWISE SPECIFIED BREAK ALL SHARP EDGES</td> <td colspan="2">CHECKED</td> <td colspan="3">MATERIAL:</td> </tr> <tr> <td colspan="2">TOLERANCES ON DIMENSIONS ARE:</td> <td colspan="2">APPROVED</td> <td colspan="3">HEAT TREAT:</td> </tr> <tr> <td colspan="2">THREE PLACE DECIMAL (.000) ±.005</td> <td colspan="2">BY: DATE</td> <td colspan="3">DR: SEP</td> </tr> <tr> <td colspan="2">TWO PLACE DECIMAL (.00) ±.010</td> <td colspan="2">BY: DATE</td> <td colspan="3">DATE: 11/4/13</td> </tr> <tr> <td colspan="2">ONE PLACE DECIMAL (.0) ±1/64</td> <td colspan="2">REGISTER NO.</td> <td colspan="3">SCALE: 1/4</td> </tr> <tr> <td colspan="2">FRACTIONS ±1/32</td> <td colspan="2">ANGLES ±1°</td> <td colspan="3">D 3181020</td> </tr> </table>							METALLURGY APPROVED		DATE		ACCO MATERIAL HANDLING SOLUTIONS 76 ACCO DR. YORK, PA 17402			NEXT ASSY NO.		REV'D		NAME: Sr31 HOIST, 2PD MOTORIZED TROLLEY			UNLESS OTHERWISE SPECIFIED BREAK ALL SHARP EDGES		CHECKED		MATERIAL:			TOLERANCES ON DIMENSIONS ARE:		APPROVED		HEAT TREAT:			THREE PLACE DECIMAL (.000) ±.005		BY: DATE		DR: SEP			TWO PLACE DECIMAL (.00) ±.010		BY: DATE		DATE: 11/4/13			ONE PLACE DECIMAL (.0) ±1/64		REGISTER NO.		SCALE: 1/4			FRACTIONS ±1/32		ANGLES ±1°		D 3181020		
METALLURGY APPROVED		DATE		ACCO MATERIAL HANDLING SOLUTIONS 76 ACCO DR. YORK, PA 17402																																																										
NEXT ASSY NO.		REV'D		NAME: Sr31 HOIST, 2PD MOTORIZED TROLLEY																																																										
UNLESS OTHERWISE SPECIFIED BREAK ALL SHARP EDGES		CHECKED		MATERIAL:																																																										
TOLERANCES ON DIMENSIONS ARE:		APPROVED		HEAT TREAT:																																																										
THREE PLACE DECIMAL (.000) ±.005		BY: DATE		DR: SEP																																																										
TWO PLACE DECIMAL (.00) ±.010		BY: DATE		DATE: 11/4/13																																																										
ONE PLACE DECIMAL (.0) ±1/64		REGISTER NO.		SCALE: 1/4																																																										
FRACTIONS ±1/32		ANGLES ±1°		D 3181020																																																										
<small>This document and all data contained herein is the property of ACCO and is supplied in confidence for evaluation purposes only and under the express condition that it is not to be reproduced or transmitted to others without written authorization, is not to be used in any way detrimental to the interests of ACCO and is to be returned upon demand.</small>																																																														