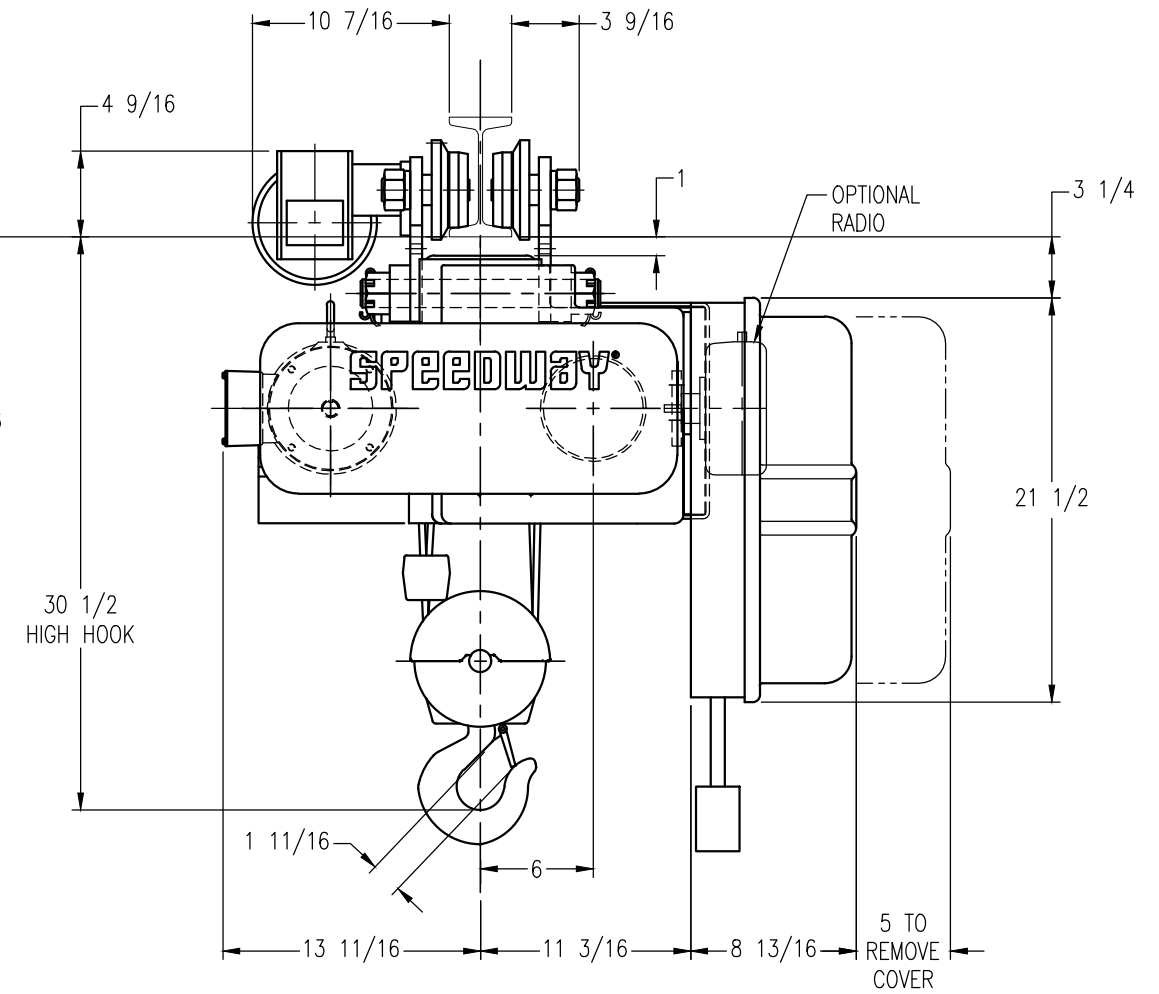
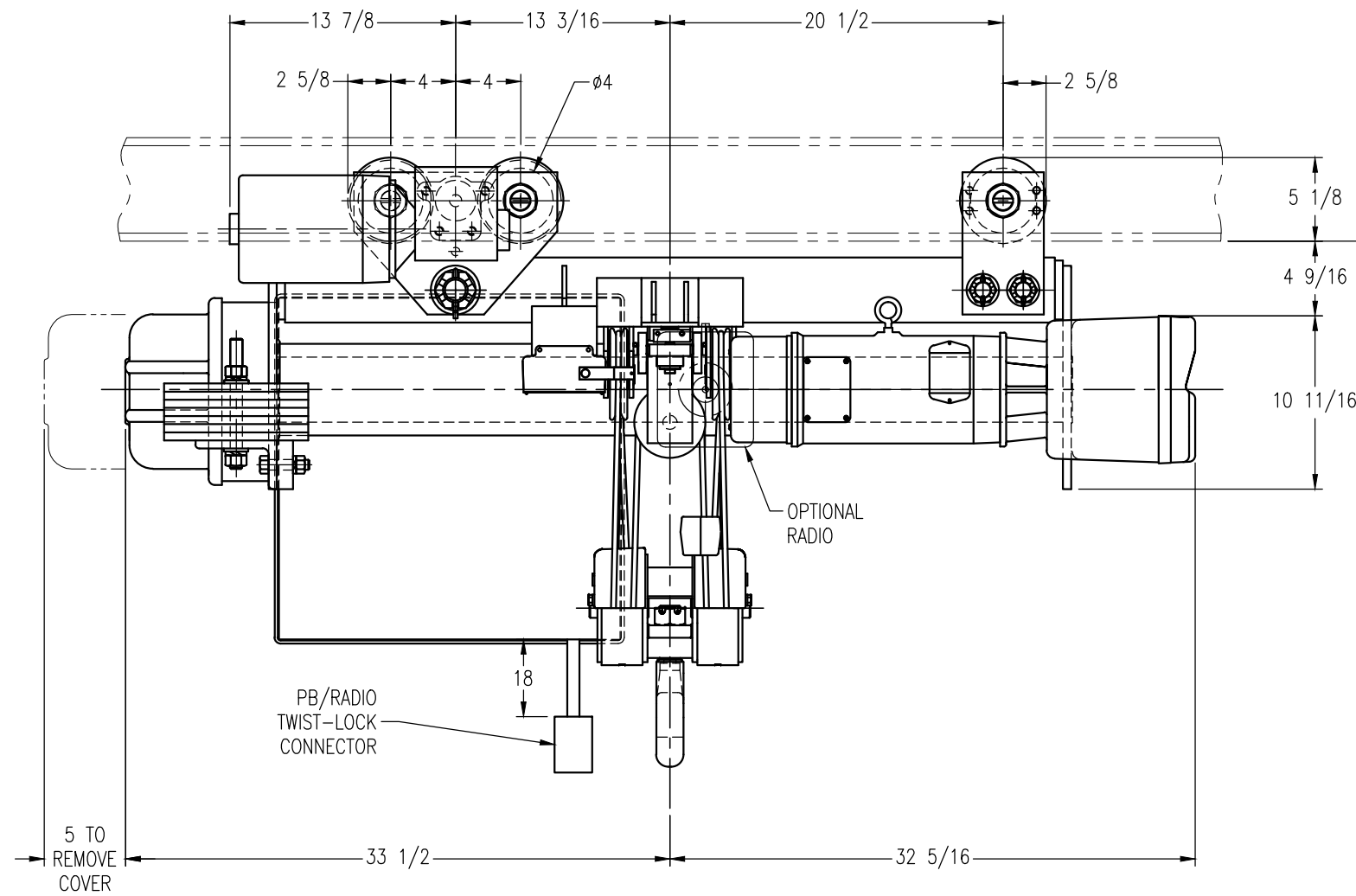


LET	CH NO.	BY	DATE	REVISIONS
-	7532	SEP	11/4/13	RELEASED FOR PRODUCTION



CUSTOMER:
 CUSTOMER P.O. No.:
 ACCO PRODUCT No.: C1W05D019-12M4D1
 CAPACITY: 5 TONS
 LIFT: 19'-6" FT
 LIFTING SPEED: 12 FPM, 4 HP
 TRAVEL SPEED: 50 FPM, 0.5 HP

POWER SUPPLY: 230/460-3-60
 BEAM:
 REMARKS:
 ACCO ORDER No.:
 SERIAL No.:

ITEM	REQ'D	DWG. SC	PART NO.	DESCRIPTION	LENGTH	WT.
UNLESS OTHERWISE SPECIFIED BREAK ALL SHARP EDGES				WHERE USED		
TOLERANCES ON DIMENSIONS ARE:						
THREE PLACE DECIMAL (.00X)				±.005		
TWO PLACE DECIMAL (.XX)				±.010		
ONE PLACE DECIMAL (X)				±.015		
FRACTIONS ±1/32				ANGLES ±1°		
<small>This document and all data contained herein is the property of ACCO and is supplied in confidence for evaluation purposes only and under the express condition that it is not to be reproduced or transmitted to others without written authorization, is not to be used in any way detrimental to the interests of ACCO and is to be returned upon demand.</small>				ACCO MATERIAL HANDLING SOLUTIONS 76 ACCO DR. YORK, PA 17402 NAME: Sr31 HOIST, 4PD MOTORIZED TROLLEY DRN: SEP DATE: 11/4/13 SCALE: 1/5	D 3181050 SHEET: - REV: -	