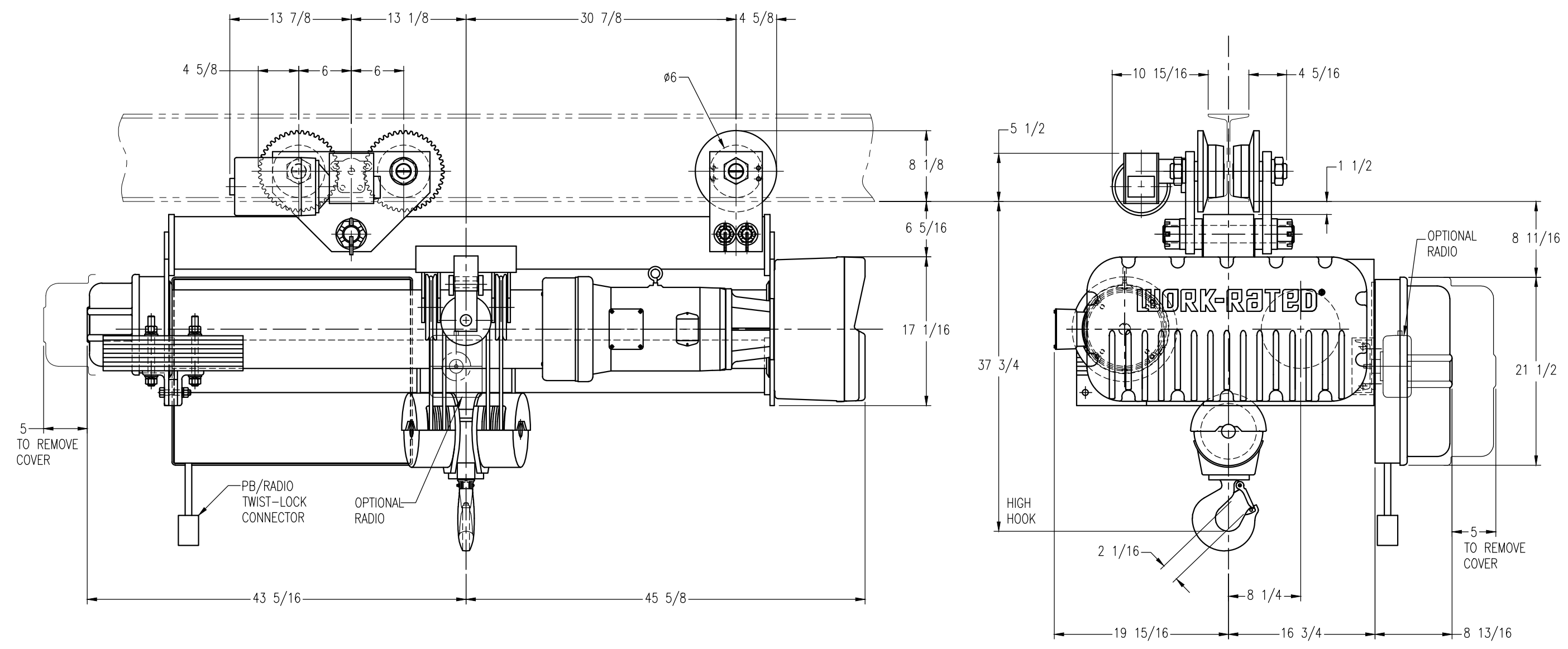


LET	CH NO.	BY	DATE	REVISIONS
-	7530	JTP	10/24/13	RELEASED



CUSTOMER:
 CUSTOMER P.O. No.:
 ACCO PRODUCT No.: C3W10D036-15M4D1
 CAPACITY: 10 TONS
 LIFT: 36 FT.
 LIFTING SPEED: 15 FPM, 10 HP
 TRAVEL SPEED: 50 FPM, 0.5 HP

POWER SUPPLY: 230/460-3-60
 BEAM:
 REMARKS:
 ACCO ORDER No.:
 SERIAL No.:

ITEM	REQ'D	DWG. SC	PART NO.	DESCRIPTION	LENGTH	WT.
UNLESS OTHERWISE SPECIFIED BREAK ALL SHARP EDGES						
TOLERANCES ON DIMENSIONS ARE:						
THREE PLACE DECIMAL (.00X)				±.005		
TWO PLACE DECIMAL (.XX)				±.010		
ONE PLACE DECIMAL (X)				±.015		
FRACTIONS ±1/32				ANGLES ±1°		
WHERE USED				MATERIAL HANDLING SOLUTIONS 76 ACCO DR. YORK, PA 17402		
SIMILAR TO				NAME: Sr33 HOIST, 4PD MOTORIZED TROLLEY		
This document and all data contained herein is the property of ACCO and is supplied in confidence for evaluation purposes only and under the express condition that it is not to be reproduced or transmitted to others without written authorization, is not to be used in any way detrimental to the interests of ACCO and is to be returned upon demand.						
DR: JTP				DATE: 10/24/13		SCALE: 1/8
D				3385190		SHEET REY